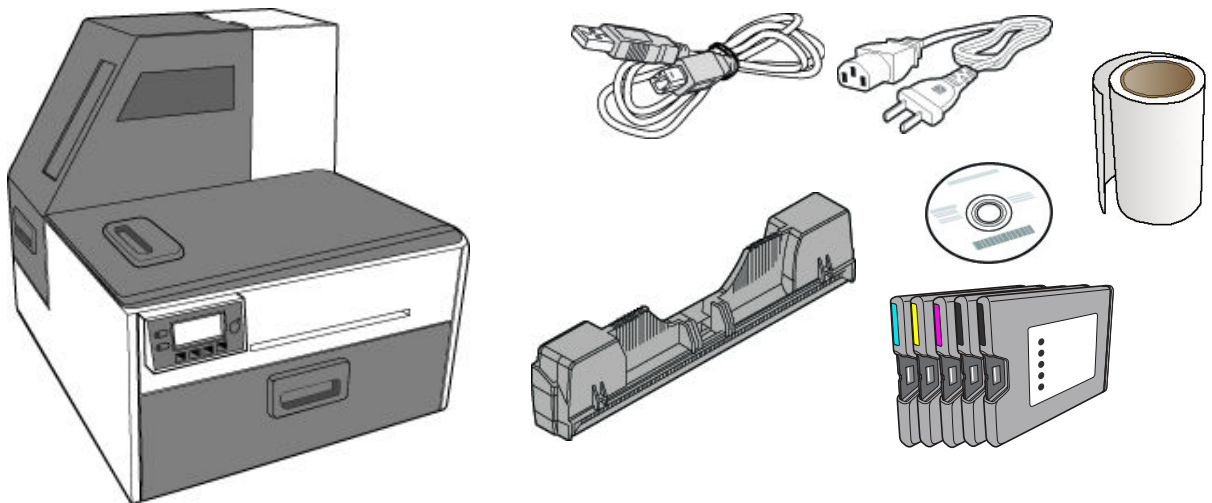




# Quick Setup and Installation Guide

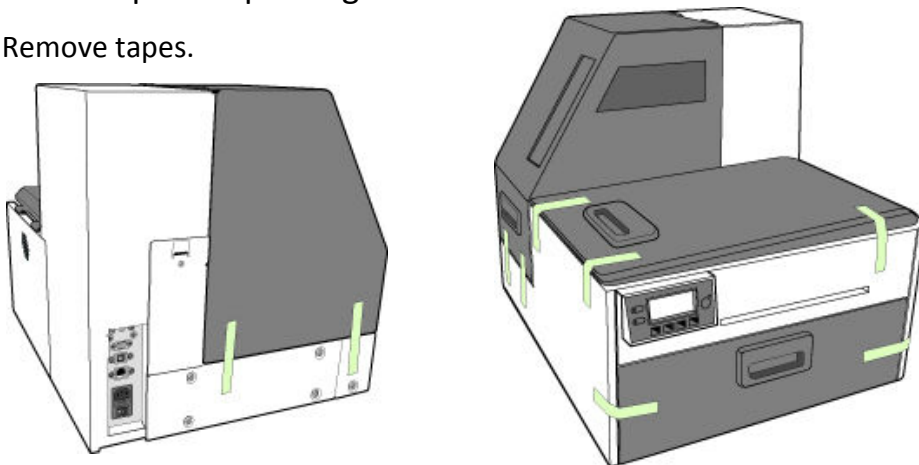
For more detailed information, insert the Installation Disc into the PC and click the **User Guide** button on the Setup Launcher main page.

## Unpack:



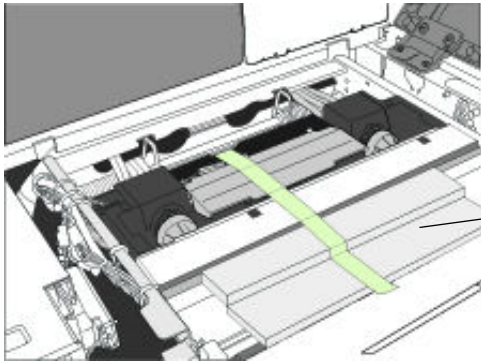
### 1 Remove tape and packing materials

a Remove tapes.

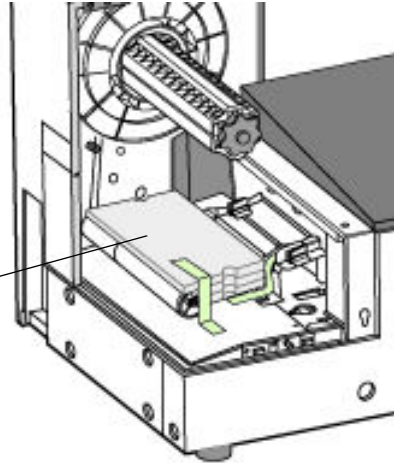


(continued on next page)

**(b)** Remove tapes and foam.



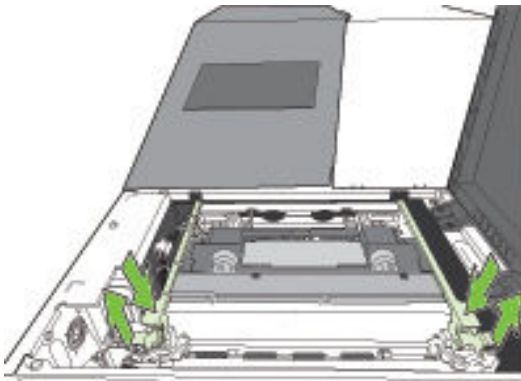
foam



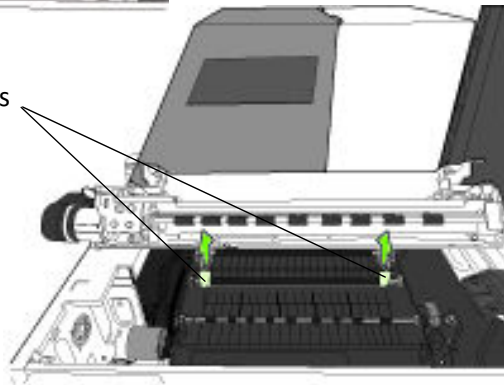
**(c)** Remove cardboard.

***Save the packing foam and cardboard!***

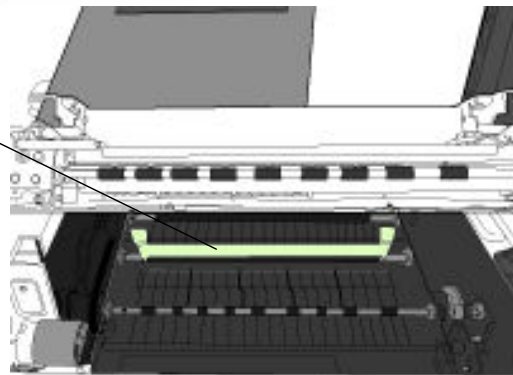
Squeeze latches to open clamshell



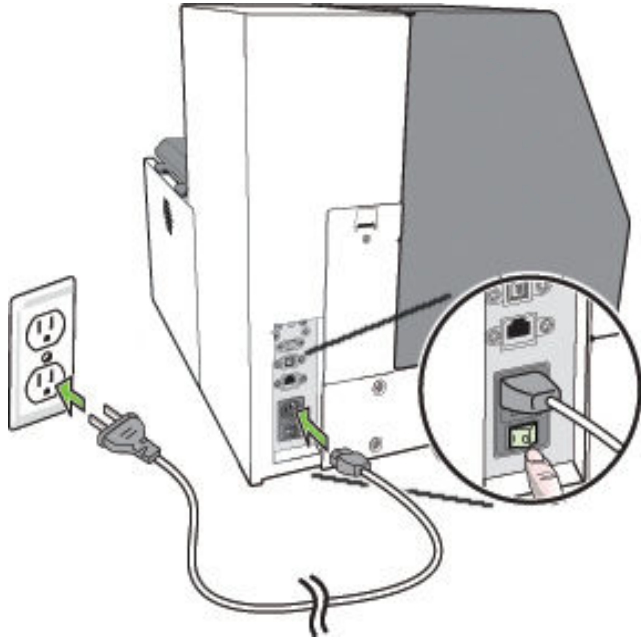
Lift tabs



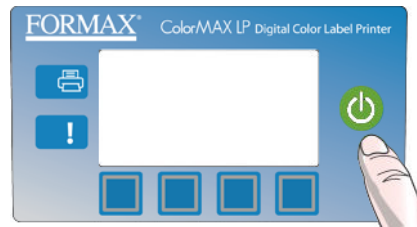
cardboard



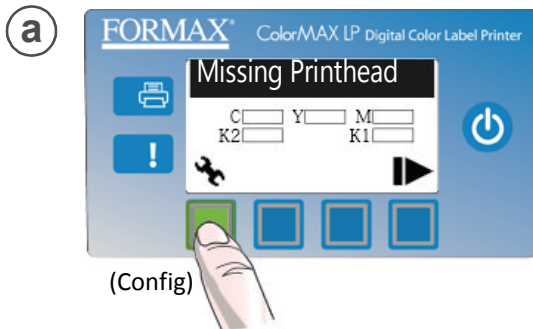
## 2 Connect power



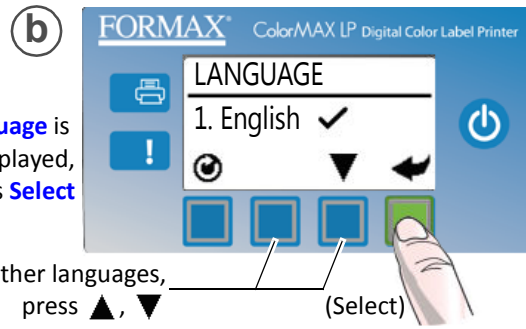
**⚠ Do not connect the printer to a PC until prompted to do so during the Printer Driver Installation!**



### Choose display language



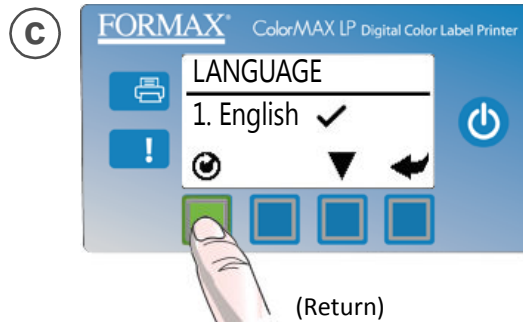
(Config)



If **Language** is not displayed, press **Select**

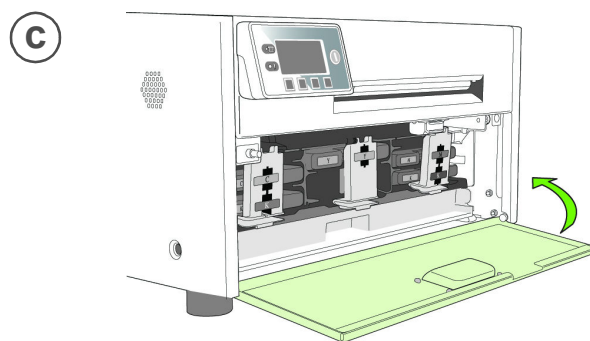
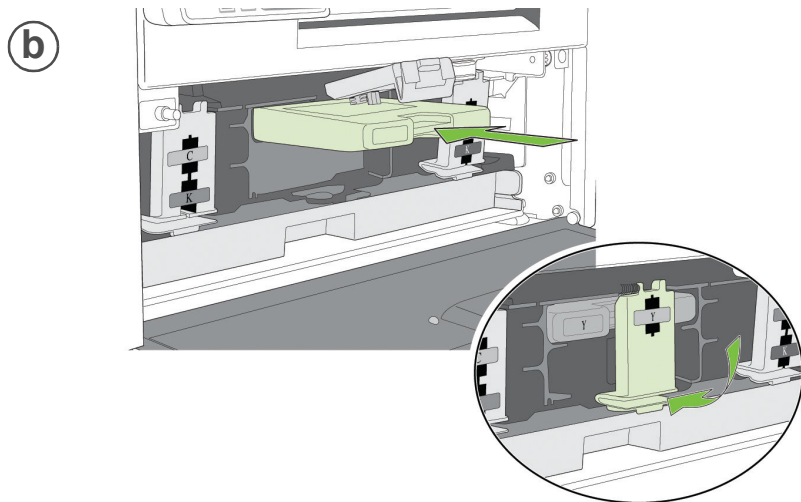
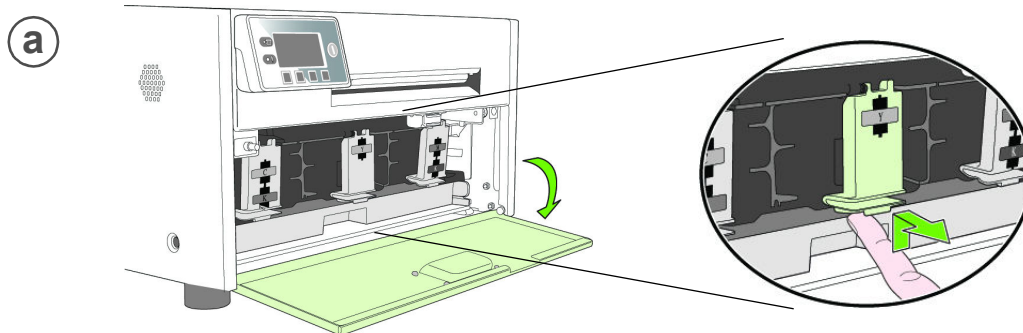
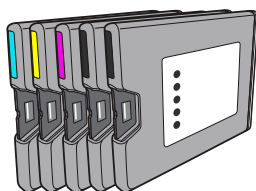
For other languages, press ▲, ▼ (Select)

If Language option is not available, see [Selecting the Security Level](#) on page 12 of the User's Manual.

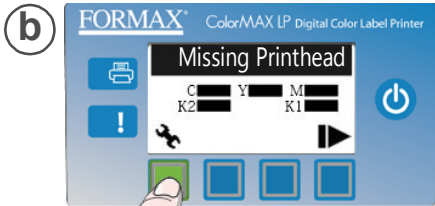
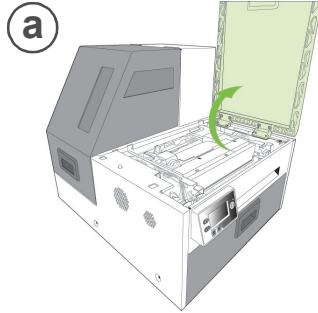


(Return)

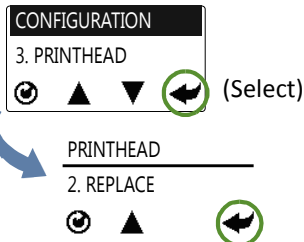
### 3 Install ink cartridges



# 4 Install printhead

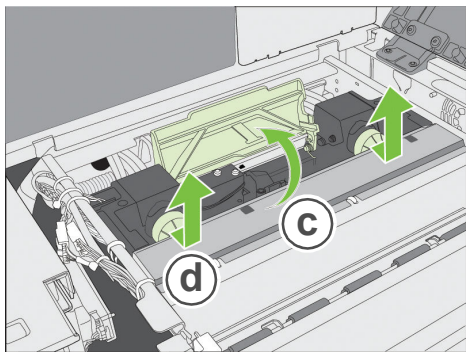


(Config)



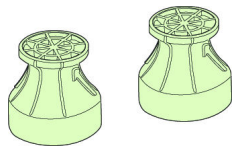
**!** Wait for printhead latch to be released.

## (c) Open printhead latch fully.

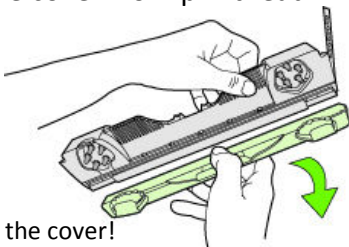


## (d) Remove caps.

Do not discard caps!

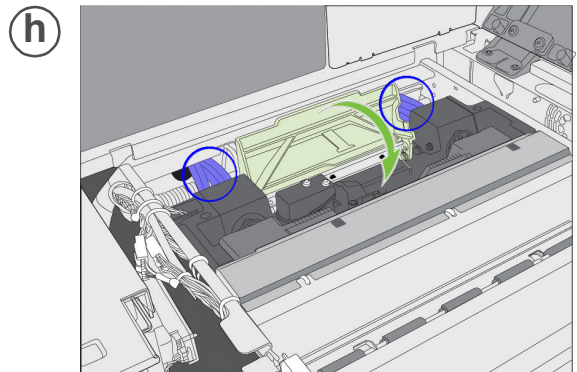
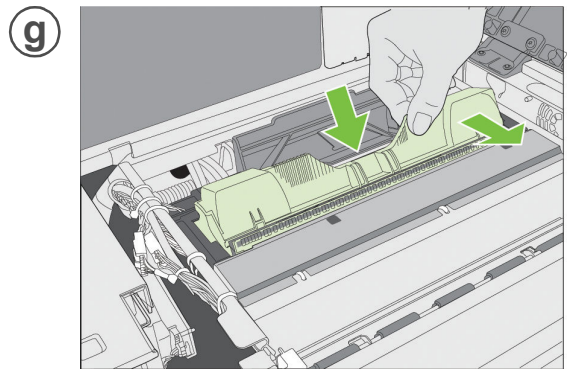
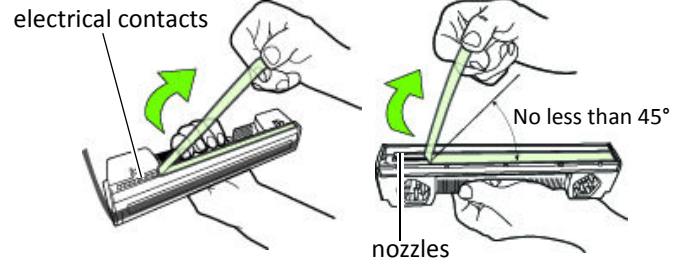


## (e) Remove cover from printhead

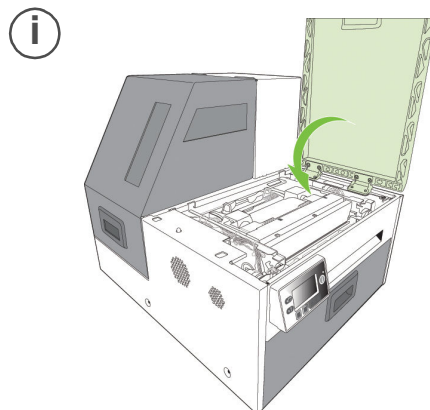


Do not discard the cover!

## (f) Slowly remove tape from electrical contacts and nozzles



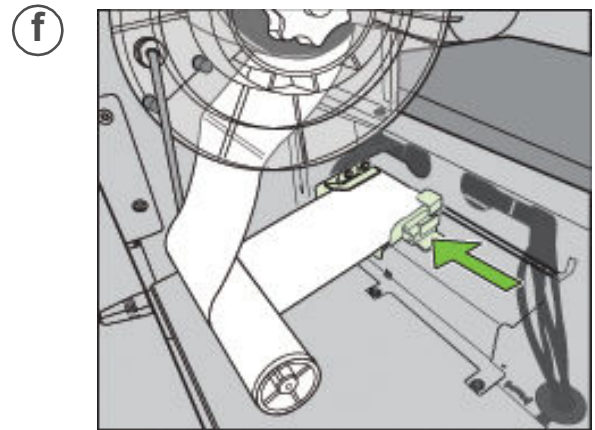
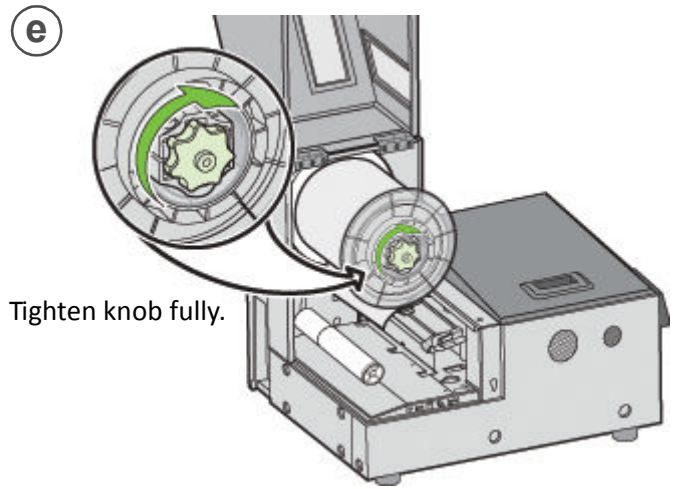
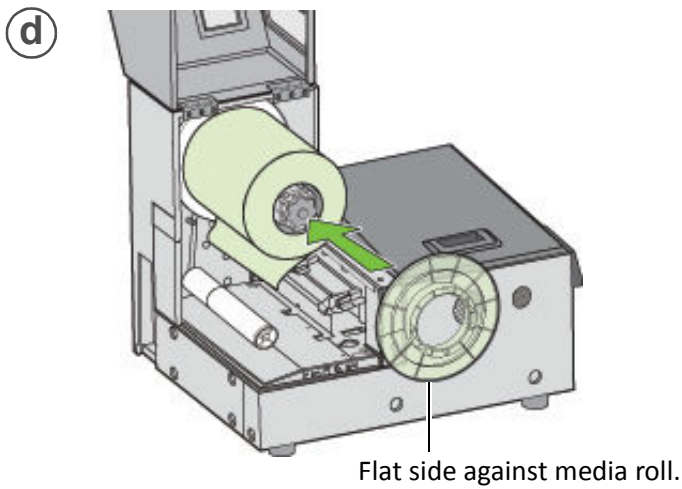
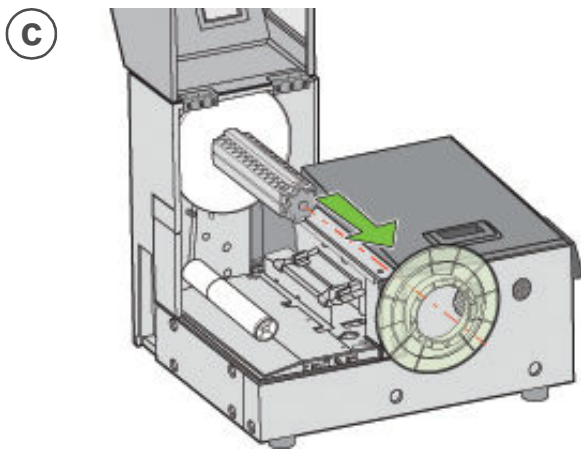
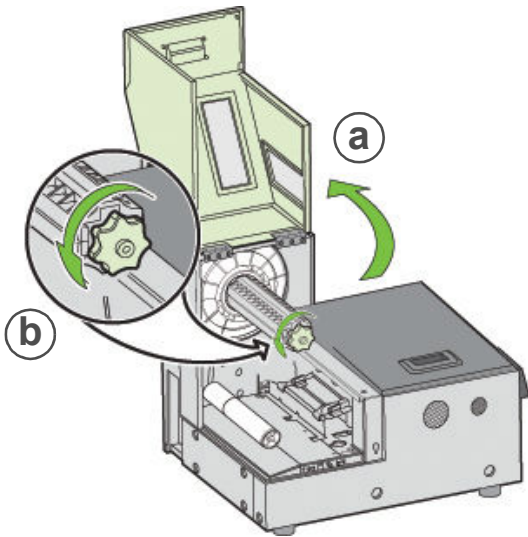
Check that ink is flowing through the tubes on both sides of the printhead.



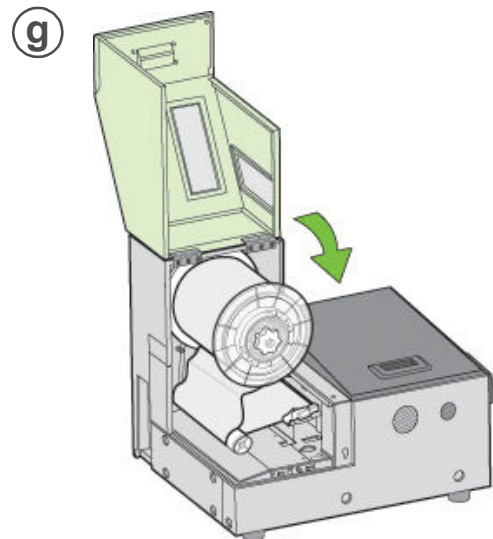
Control Panel will read **Online** when ready



## 5 Load sample media

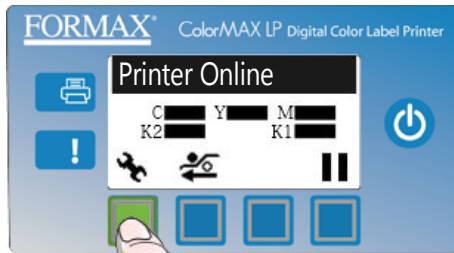


Insert media until it stops. Wait for printer to load media.

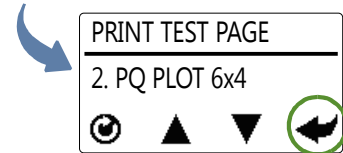
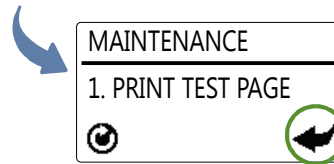
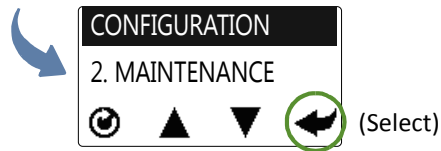


## 6 Print test label

Requires 6" x 4" (included as sample media) or 4" x 6" labels with inter-label gap.



(Config)



Sample PQ Plot 6x4



### Top Section:

- Lines are defined with no missing nozzles
- Lines are printed in order: Yellow, Black, Cyan, Black, Magenta
- Vertical dashed lines are straight

### Middle Section:

- All yellow, black, cyan, black, magenta lines are printed
- No color mixing on the color bars
- Numbers 1, 3, 5 are visible

### Bottom Section:

- Lines are defined with no missing nozzles
- Lines are printed in order: Yellow, Black, Cyan, Black, Magenta

### Overall:

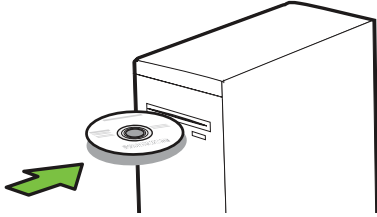
- No streaking or smearing

## 7 Install printer driver


Before installing printer driver, ensure the computer meets minimum system requirements (see “System Requirements” on page 72 of the User’s Manual).

### To connect printer to computer using USB

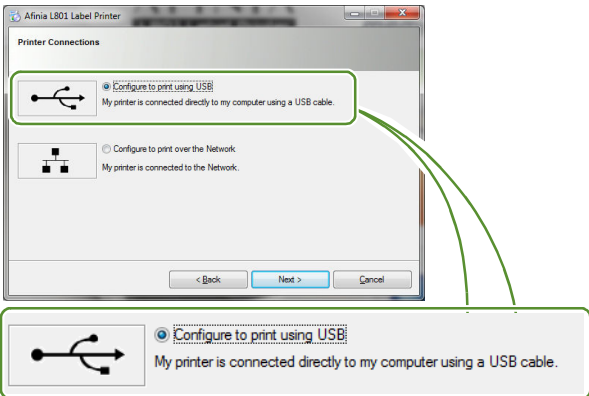
**a**



**b**



**c**



Printer Connections

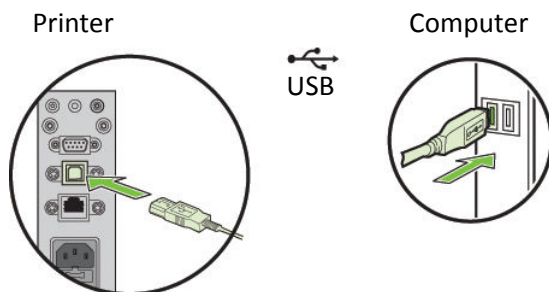
Configure to print using USB  
My printer is connected directly to my computer using a USB cable.

Configure to print over the Network  
My printer is connected to the Network.

< Back Next > Cancel

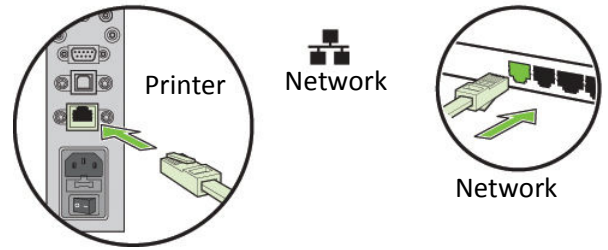
Configure to print using USB  
My printer is connected directly to my computer using a USB cable.

**d** Connect USB cable when prompted.



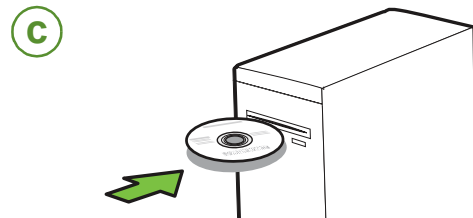
### To connect printer to network

**a** Connect printer to network using Ethernet



**b** If you will be using DHCP to set the IP Address, skip to step c.

To assign the printer a Static IP address, please see [Selecting the Security Level](#) on page 12 of the User Manual before proceeding to step c.



**d**



Setup Launcher

FORMAX Digital Color Label Printer

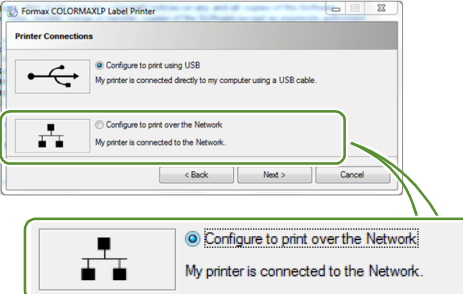
memjet

Install Driver

User Guide

Website

**e**



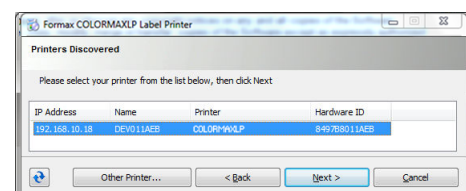
Printer Connections

Configure to print using USB  
My printer is connected directly to my computer using a USB cable.

Configure to print over the Network  
My printer is connected to the Network.

< Back Next > Cancel

Configure to print over the Network  
My printer is connected to the Network.



Printers Discovered

Please select your printer from the list below, then click Next

IP Address	Name	Printer	Hardware ID
192.168.10.18	DEVD11AEB	COLORMAXLP	84978011AEB

Other Printer... < Back Next > Cancel