

FORMAX[®]

Cut-True 22S
Electric Paper Cutter

INDEX

CONTENTS

PAGE

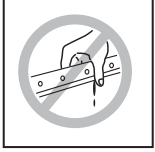
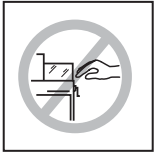
Safety Instructions ----- 1

Getting to know your paper trimmer ----- 6

Blade Replacement Instruction ----- 8

Safety Instruction:

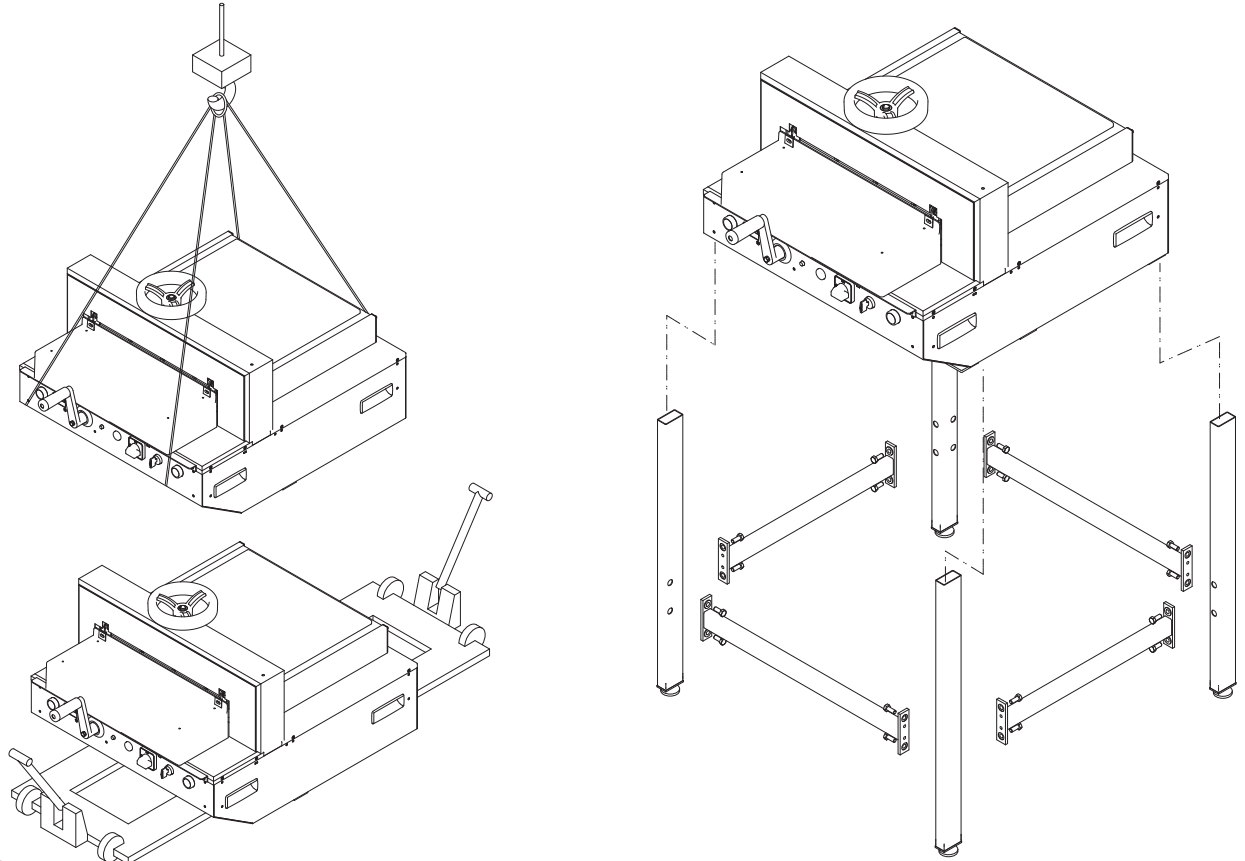
Safety Instruction:



1. Carefully read this instruction manual before operating the machine.
People who operate the machine must read and fully understand how to use the safety equipment, and have the ability to follow and implement the regulations stated in this instruction manual.
2. Keep guards/covers in place.
All components which may endanger the operator are covered by the guards or covers.
Please keep the guards/covers in place and do not remove them without dealer or manufacturer's consent.
3. Don't use it in a dangerous environment.
Do not use the machine in humid or damp locations, or directly expose it to rain or sunlight.
The working area must be well lit and ventilated.
4. Store idle machine.
If you don't want to use it for a period of time, please store it in a dry and secure environment.
5. Stand in the proper position for operation.
Please stand in front of the machine while operating it.
6. Don't overuse the machine.
Please use it properly and follow the steps for each of the functions stated in the instruction manual.
7. Operate it while you are in good health.
For safety reasons, do not operate the machine when you are tired or unable to focus on the job.
8. Keep both hands away from the cutting area.
The machine is designed to be and only allows a one-man operation. Each single cutting action must be operated by pressing the 2 enable switches simultaneously to avoid injury.
9. Keep away from the sharp edge of the blade.
Please wear leather gloves and use the cutter blade holders to replace or install the blade.
10. Maintain machine with care.
Repairing the machine or sharpening the blade must be carried out by qualified and well-trained people only. If you don't use the replacement parts from the original manufacturer, it may result in considerable danger to the operator.
11. Waste disposal shall obey the local regulations and must be done carefully.
12. The measurement of the noise level is defined according to ISO 3746.
A weighted sound pressure level measuring under no load at operation position is 75.6Db (A), and under load at operation position is 75.5dB (A).
13. Make sure that the machine is disconnected at the power supply.
Shut down the power before starting to do any maintenance, adjustments, or repairs.
14. Application and prohibition of using the machine.
The machine is designed for trimming paper only. For safety reasons, do not attempt to cut other materials such as metal sheets, wood board or other objects.
15. Do not use the machine over its capacity.
Refer to the specifications of the machine shown in the instruction manual. Any modifications to the machine are not allowed and will terminate the manufacturer's guarantee.
16. If any transmission elements fail, do not forcefully drag the paper pile out.
17. To ensure the optimal effectiveness of the machine, the safety devices need to be checked before operation. The test results (see annex A) must be recorded after the blade has been changed or adjusted.

Transportation:

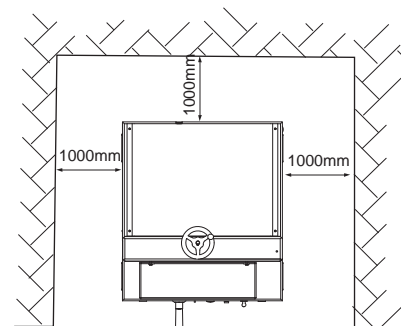
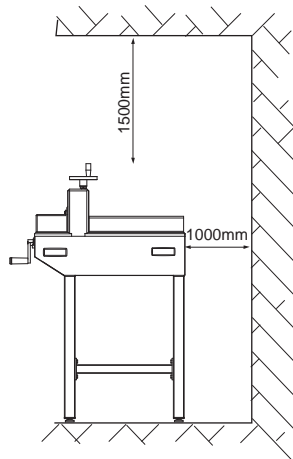
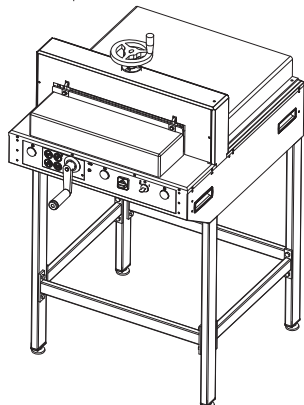
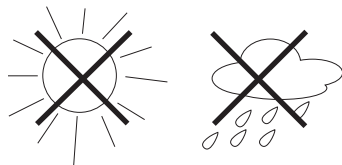
Please refer to the specifications of the machine to arrange a capable lifting device to move the machine.



Note : The handling and transportation should be carried out by qualified people only. During handling, people are strictly prohibited from entering the path of the movement of the machine. Please also pay attention to the balance of the machine.

Setting The Machine And Choosing Base:

A clear area must be provided in accordance with the diagram of the machine below. This is essential for efficient maintenance and assembly. Do not put it in locations directly exposed to the sunlight or near a heat source. Please install it in a well-ventilated place which is free of dust.



Safety function inspection before use:

1. Be sure to check the safety functions before operation and after replacing the blade.
2. The safety devices (SQ1 and SQ2) are designed in accordance with the EN 60947-5-1-3 requirement and the electronic requirement EN1088.
3. The front safety guard is controlled by SQ1 and SQ2, which follow the requirement EN954-4 category sub.3. The machine and blade will automatically stop when the safety guard is open or disconnected. In contrast, the machine can be operated by pressing the two enable switches simultaneously.

Maintenance and Lubrication:

1. Use a dry cloth to wipe the surface. Do not pour water directly on the machine.
2. Do not use a brush, acid or solvents, such as benzene, hot water...etc. Because it will damage the paint.
3. All movable parts need to be lubricated and oiled from time to time. These parts must be cleaned and free of paper dust and oil deposits before lubricating.

Trouble Shooting:

1. The blade doesn't move. Check if the main motor magnetic contact is activated.
2. Powering off: Check the power source and all the control circuit fuses.
3. Overload. Wait until the breaker automatically resets, it takes around 30- 60 seconds. The indicator light will be off. Please reduce the paper pile or change to a sharp blade.
4. The machine does not work after closing the front safety guard. Press the two enable switches simultaneously again, and check to see if the safety guard is completely closed.
5. If the circuit board needs to be changed, please follow these steps:
 - a. With the power off, remove the old circuit board and put in a new circuit board.
 - b. Once the new circuit board is in place, turn the power on. The message "HOME" will appear. Move the back-gauge to the end until the message "DOWN" appears.
 - c. Turn the back-gauge crank to return the back-gauge into the operating position. The ruler indicator needs to be at the position of 30 cm, and make sure the scale on the back-gauge crank is located at the 0 position.
 - d. Press the reset button for a few seconds until the figure 30.00 shows up on the screen.
 - e. After you see "30.00", cut one sheet of paper and make sure it precisely matches 30cm.
6. If there are any other problems, please contact your dealer.

Error messages for the Ew/Vt wg'44U

1. "Cut 2000" means the blade has reached its life cycle of 2000 cuts. Please put in a new blade.

Press the button on the right and turn the select switch to the middle position to reset the life cycle to zero.

2. "E4": Please remove the T-Wrench from the fine adjustment device.

3. "E5": Cutting drive motor is overloaded.

4. "E6": The blade couldn't return within the standard period of time after cutting.

Cutting Stick

If the last sheet of the paper pile is not being cut through, even though the fine blade adjustment device has already been adjusted properly, it means that the cutting stick should be changed, turned or rotated. Each side of the cutting stick can be used on each side, which means four changes per stick. The cutting stick fits into the channel on the deck of the machine and can be lifted up by placing the 5 mm screwdriver into the functional hole underneath the safety guard.

Please be aware that the blade height has to be readjusted when the cutting stick is changed. If you don't do it, the blade will cut too deeply. It will not only damage the cutting stick, but also the blade itself.

Blade Replacement:

Precise cuts are not possible with a dull or blunt blade. The blade should be changed as soon as the quality and accuracy of cuts are not in accordance with the standards.

If the blade should jam in the paper pile or leave grooves on the paper, the blade must be changed immediately.

The lifetime of the blade is approximately 2000 times based on normal paper. The blade change must be done by a qualified person only. The edge of the blade is extremely sharp. In order to avoid injuries, the blade has to be handled with the utmost care.

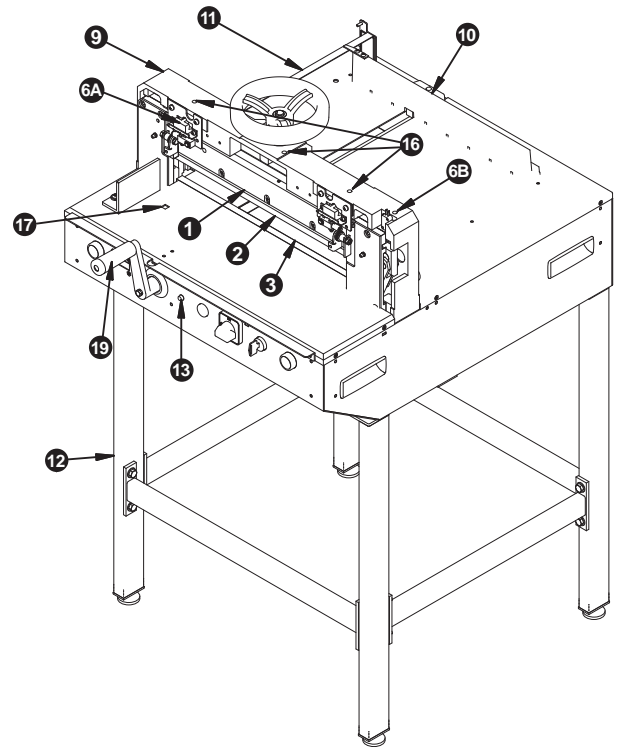
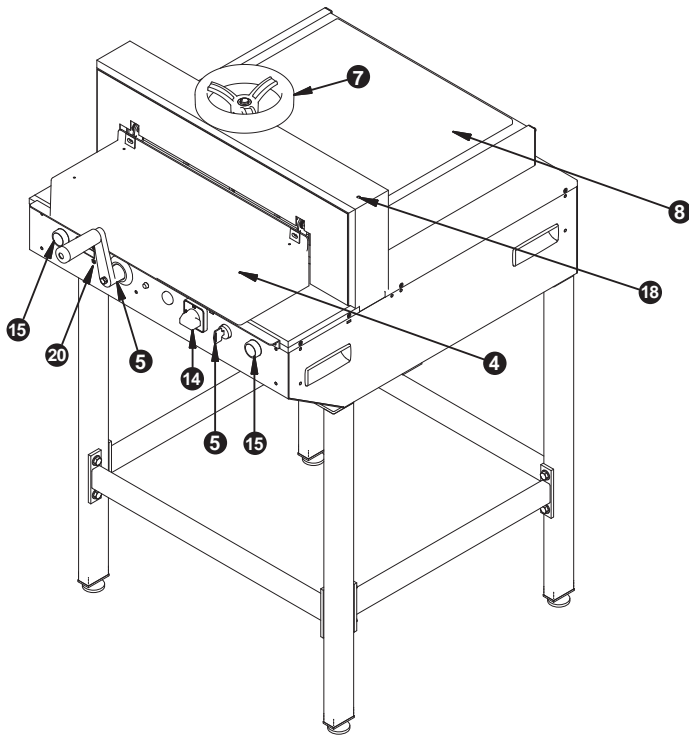
 **Note : Please follow the steps shown in this instruction manual to replace a new blade.**



Do not dispose of any electrical appliances as unsorted waste, please use separate collection facilities. Contact your local government for information regarding the collection facilities if available.

If electrical appliances are disposed of in landfills or dumps, the hazardous substances could leak into the groundwater and populate the food chain, and damage your health.

Getting to know your paper guillotine:



1 Blade holder

There are 5 screws for positioning the blade on the blade holder.

2 Blade

It's made of high quality carbon steel and needs to be installed and removed step by step following the blade replacement instructions.

3 Cutting Stick

It's made of tough plastic to protect the edge of the blade. Each of its four sides can be used.

4 Safety Guard

The safety guard must be closed properly before cutting, so the interlock device will be released.

5 Select switch:

Turn it to the right for conducting cutting procedures, and turn it to the left for blade replacement procedures. Keep it in the middle to stop all operations.

6 Safety Guard System(Interlock Device)

Interlock device A: The machine can be operated only when the safety guard is closed completely.

Interlock device B: For the safety reasons, the machine cannot be operated when the 5 mm T wrench is still in the blade adjustment device.

7 Clamp Hand Wheel

Turn it clockwise to clamp the stack of paper tightly.

8 Cover

Attached to the machine with two screws. You are only allowed to remove it for changing the blade or doing maintenance.

9 Carrier(Cutter Base)

It's purpose is to carry the blade holder and the entire mechanism.

10 Back-gauge

It's controlled by the back-gauge crank which can be adjusted to the desired cutting size and parallel align the stack of the paper to be cut.

11 Side Gauge with Scale

Measurement in mm/cm and inches. The indicator on the back-gauge will point out the current measurement. The fine adjustment can be done via the scale ring. The minimum adjustment is 0.5mm.

12 Stand

The standard equipment of vj g'EwVtwg 22S is made of steel.

13 Overload lamp

The overload protection device will turn off the power automatically while unusual heavy loading occurs. A blunt blade may cause the overload protection to shut down the machine.

14 Power Switch

15 2 enable switches

16 3 socket headless screws for adjusting the balance of the blade after changing to a new blade.

17 Functional hole for lifting up the cutting stick

18 Fine adjustment device for the blade

The scale is only 0.2 mm. Turn it clockwise to raise the blade up.

19 Back-gauge Crank

Pull the back-gauge crank toward the operator in order to make it idle and to avoid the measure moving forward or backward.

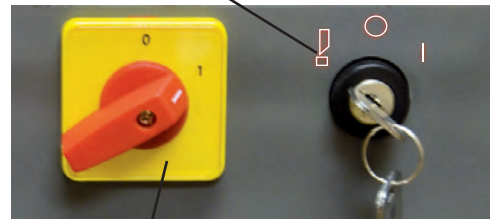
20 Digital Measurement readout

It can be switched over from cm to inches and vice versa. This function is only on vj g'EwVtwg"44U

Blade Replacement Procedure

1. Turn the power switch ON, and turn the select switch to the left.

Select switch in blade change position



Power switch in ON position

2. Press two enable switches simultaneously to move the blade down to the bottom position.



3. Turn the select switch to the middle and turn off the power. Then lift the plexi safety cover to remove the first screw from the right side of the blade (A).



A

4. Close the safety cover and turn the select switch to the left. Then turn on the power. The blade will move up automatically. Turn the select switch to the middle and turn off the power.



B

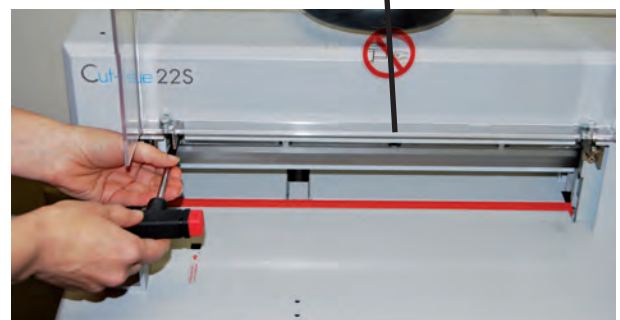
C

Center screw

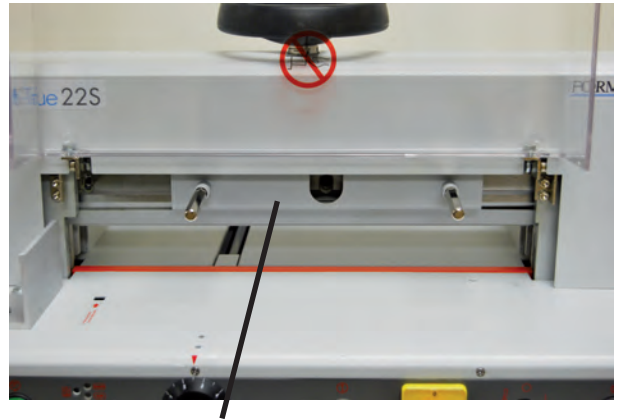
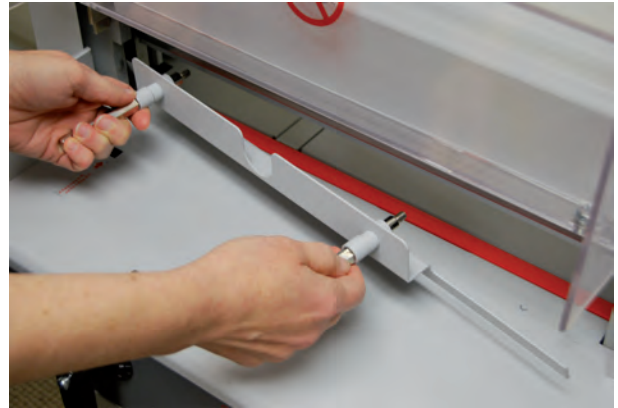
D

5. Raise the safety cover and remove the first screw from the left side (B). Remove the screws to the left and right of center (C & D), but leave the center screw in place.

NOTE: Do not remove the center screw.



6. Remove the blade change safety tool from the tool box and screw the handles into the two holes to the left and right of center (see photo). Screw them in tightly, to prevent the blade from falling out of the holder.



Blade change safety tool in place

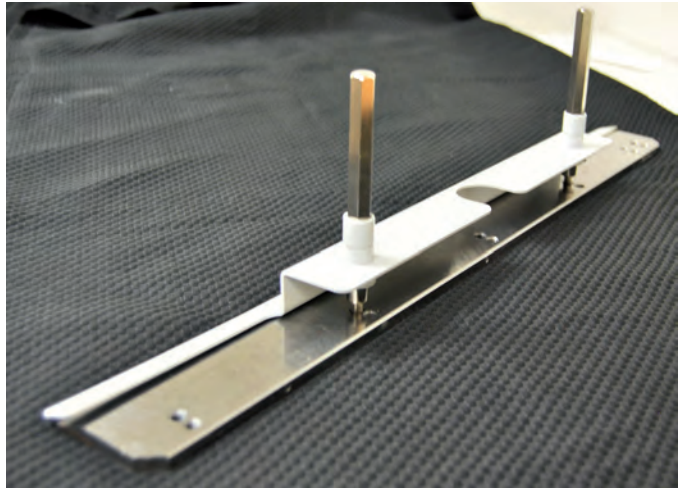
7. Remove the center screw.



8. Grip and loosen both of the blade change tool handles by turning just a half reverse turn to remove the blade from the machine. Carefully move the blade and holder downward in order to remove it safely from the machine. NOTE: Be careful to avoid injury from the very sharp blade.

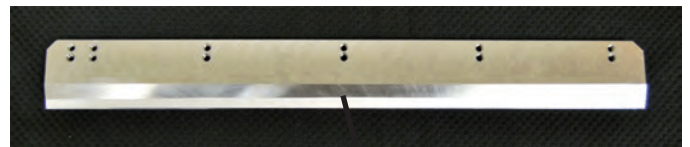


- Carefully remove the old blade from the blade change safety tool. Set it on a flat surface and unscrew the handles. Cap the old blade with a protective pad to prevent injury.



- Place the new blade with the beveled cutting edge facing up, and the screw holes at the top, as shown here. Remove the protective pad from the new blade.

To attach the blade change tool, place it over the blade and screw the handles into the lower set of screw holes. Then reverse the procedure to install the new blade.



Beveled cutting edge

Appendix A

Inspection for safety device function of the machine

MODEL:

SERIES:

DATE:

Checker:

| Content | Result | OK | Fail | Remark |
|---|---|----|------|--|
| Safety guard is closed | Press 2 enable switches. The blade will go down. | | | |
| Safety guard is open | Press 2 enable switches . The blade can't go down. | | | |
| One hand to close the safety guard and the other hand to press one of the 2 enable switches | No action. | | | |
| Cutting Performance | If one sheet of paper can not be cut through completely, finely adjust the blade height and try to cut again. | | | Remove the T-wrench before turning on the power. |