

FORMAX[®]

FD 404A1
High-Capacity Air Jogger

OPERATOR / PARTS MANUAL
FIRST EDITION

TABLE OF CONTENTS

| SUBJECT | PAGE |
|----------------------------|-------------|
| DESCRIPTION | 1 |
| SPECIFICATIONS | 1 |
| UNPACKING | 1 |
| SAFETY | 1 |
| FEATURES & CONTROL PANEL | 2 |
| OPERATION | 3 |
| BASIC JOGGING | 3 |
| PAPER TRAY TILT ADJUSTMENT | 3 |
| USING THE TIMER | 4 |
| TROUBLESHOOTING | 4 |
| DAILY MAINTENANCE | 4 |
| PARTS LIST | 5 |

DESCRIPTION

FUNCTION

The FD 404A1 High-Capacity Air Jogger aligns and dries printed sheets in a single process while reducing static electricity. Variable vibration speed and air pressure controls combine to reduce jogging time, allowing press sheets and digital printouts to be air-dried immediately.

SPECIFICATIONS

| | |
|---------------------------|---------------------------------|
| Variable Vibration Speed: | Up to 3,000 vpm |
| Variable Air Control: | Up to 29,000 rpm |
| Bin Size: | 3.75" D x 20.375" W |
| Media Size: | 5" x 7" Min up to 12" x 18" Max |
| Sheet Capacity: | Up to 940 sheets 20# |
| Dimensions: | 21" W x 18" D x 54" H |
| Weight: | 100 lbs. |
| Voltage: | 110V/120V, 50/60 Hz |



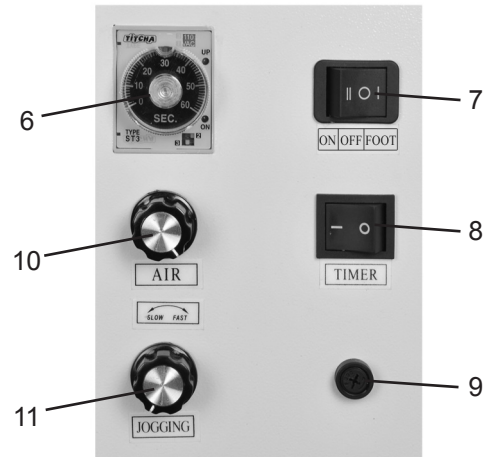
UNPACKING

1. Check package for shipping damage. If there is shipping damage, do not discard the box.
2. Remove the machine and packed components from the box, includes power cord and manual.

SAFETY PRECAUTIONS

- Place the machine on a level and stable surface, to prevent it from falling over and causing personal injury or damage to the machine. Avoid locations with direct sunlight, excessive dust and/or dirt, chemicals, salt or vibrations.
- Connect the power plug to a grounded outlet and do not use any other voltage other than specified on the serial plate. Do not share a wall outlet with another piece of equipment as overheating could occur. Be sure to route the power cable to the wall outlet in a way which will prevent people from tripping over it.
- When cleaning the machine, turn off the power first, then unplug from the wall outlet.
- Do not dismantle or attempt to repair the machine. Do not lubricate or apply grease to the machine. Call for service.

FEATURES & CONTROL PANEL



Control Panel

| No. | NAME | FUNCTION |
|-----|---------------------------|---|
| 1 | Paper Tray | Holds paper for jogging |
| 2 | Tray Tilt Adjustment Knob | Used to alter the tilt angle of the paper tray |
| 3 | Control Panel | Controls all functions of the jogger |
| 4 | Main Power Switch | Turns the power on or off |
| 5 | Foot Pedal | Used for hands-free operation |
| 6 | Timer Adjustment Knob | Choose jogging duration, from 0-60 seconds |
| 7 | 3-Way Power Switch | Power on. Power off, Foot pedal operation |
| 8 | Timer Off/On Switch | Toggles between timed and untimed jogging (I = on, O = off) |
| 9 | Fuse (3A) | Fuse for jogging |
| 10 | Air Adjustment Knob | Turn right for stronger air pressure, turn left for less air, all the way left for no air |
| 11 | Jog Speed Adjustment Knob | Turn right for increased vibrations, turn left for decreased vibrations |

OPERATION

Basic Jogging

When the AIR adjustment knob is turned to the right (ON), air blows through vents in the paper tray while the machine is operating.

When the JOG adjustment knob is turned to the right (ON), the paper tray vibrates.

For jogging regular paper, both switches should be set to ON, while the air-only option can be used to loosen paper or dry ink.

| Power Switch Setting | Timer Setting | Result |
|----------------------|---------------|--|
| ON | OFF | Jogger operates continuously |
| ON | ON | Operation begins immediately |
| FOOT | OFF | Jogger operates continuously once foot switch is pressed |
| FOOT | ON | Operation begins by stepping on the foot switch |

Paper Tray Tilt Adjustment

1. Hold the lower center of the paper tray. **NOTE:** Keep hands and fingers away from the lower portion of the paper tray to avoid injury.
2. Loosen the tilt adjustment knob and adjust tilt angle.
3. Tighten adjustment knob. Be sure it is well tightened so it won't become loose during jogging.

In general, the paper tray is tilted vertically for thick paper (Fig. 1). For thin paper, set the paper tray horizontally to prevent the paper from being bent and folding over. (Fig. 2).

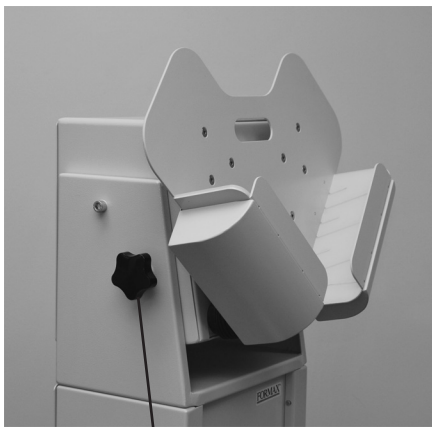


Fig. 1
Tilt Adjustment Knob



Keep fingers away from this area
when adjusting tilt angle



Fig. 2

Using the Timer

1. Set Timer switch to on (I).
2. Turn the Timer Adjustment Knob to the desired length of time you wish to jog. Choose from 0 to 60 seconds.
- 3a. Standard operation: Set the timer switch to the on position and set the three way switch to the on position, air flow and vibrations begin when the is stepped on. Jogging and air flow will stop when the set time has passed.
- 3b. Foot Pedal operation: Set the timer switch to the on position and set the three way switch to FOOT, air flow and vibrations begin when the foot switch is stepped on. Jogging and air flow will stop when the set time has passed.

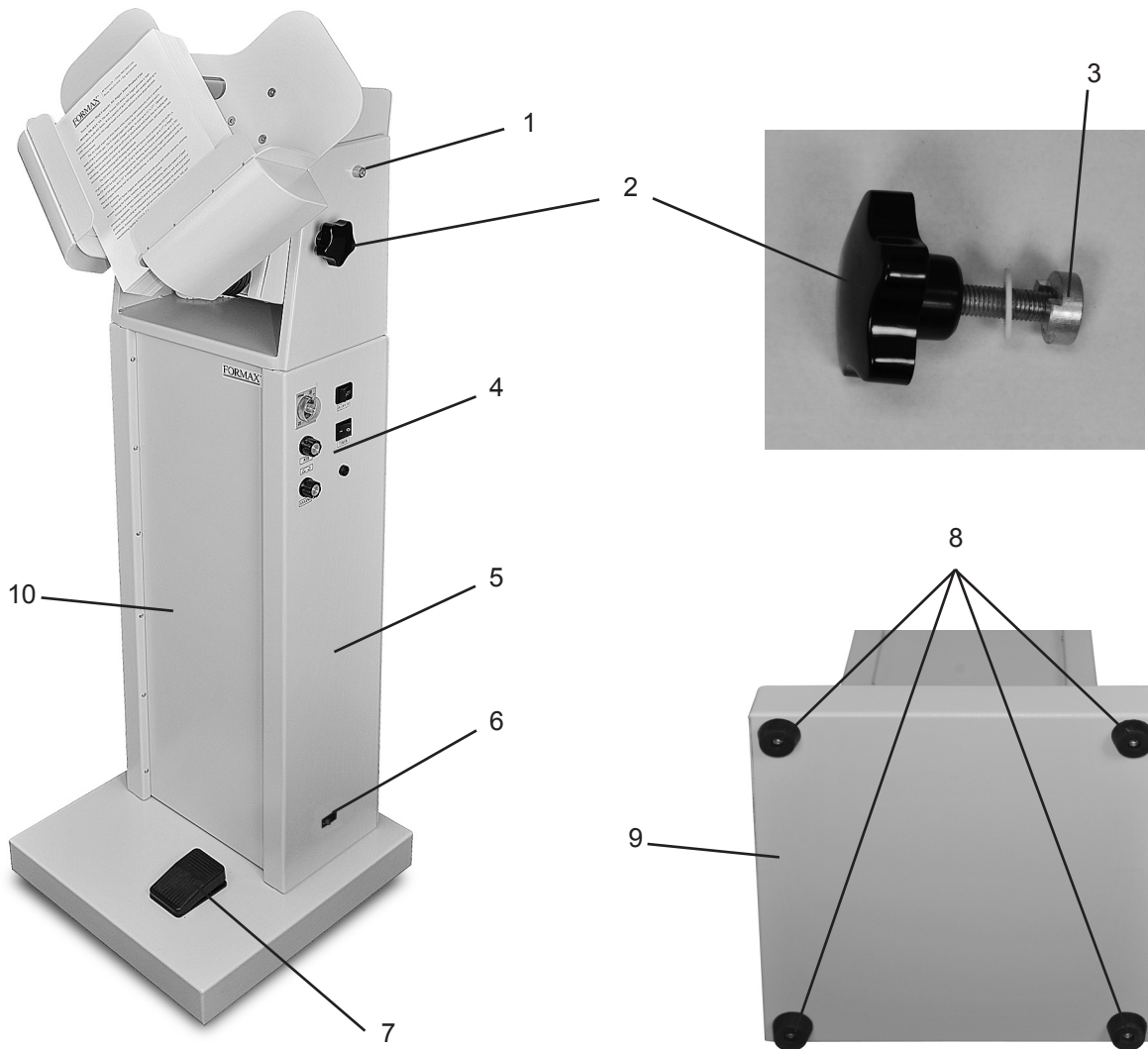
TROUBLESHOOTING

| TROUBLE | POSSIBLE CAUSE | REMEDY |
|--------------------------------|---|--|
| Paper is not jogged completely | Paper is a non-standard size | Jog it while loosening it by hand. |
| | Paper has static electricity | Add some space between the sheets by hand. |
| | Too much paper in paper tray | Reduce the volume of paper jogged at one time. |
| Air flow is weak | Air adjustment knob is set to low volume | Turn knob to the right to increase air flow. |
| | Paper or paper scrap is lodged in air inlet or outlet | Clear air inlet and/or outlet. |
| | If air flow problem is not fixed following these suggestions, blower maintenance may be required. Call for service. | |
| No air is discharged | Air adjustment knob is set to OFF | Turn knob to the right to increase air flow. |
| | Fuse is blown | Replace Fuse |
| | If the fuse is blown again after replacement, the cause may be within the machine. Call for service. | |
| Paper tray will not vibrate | Jogger adjustment knob is set to OFF | Turn knob to the right to increase vibrations |
| | Fuse is blown | Replace Fuse |
| | If the fuse is blown again after replacement, the cause may be within the machine. Call for service. | |

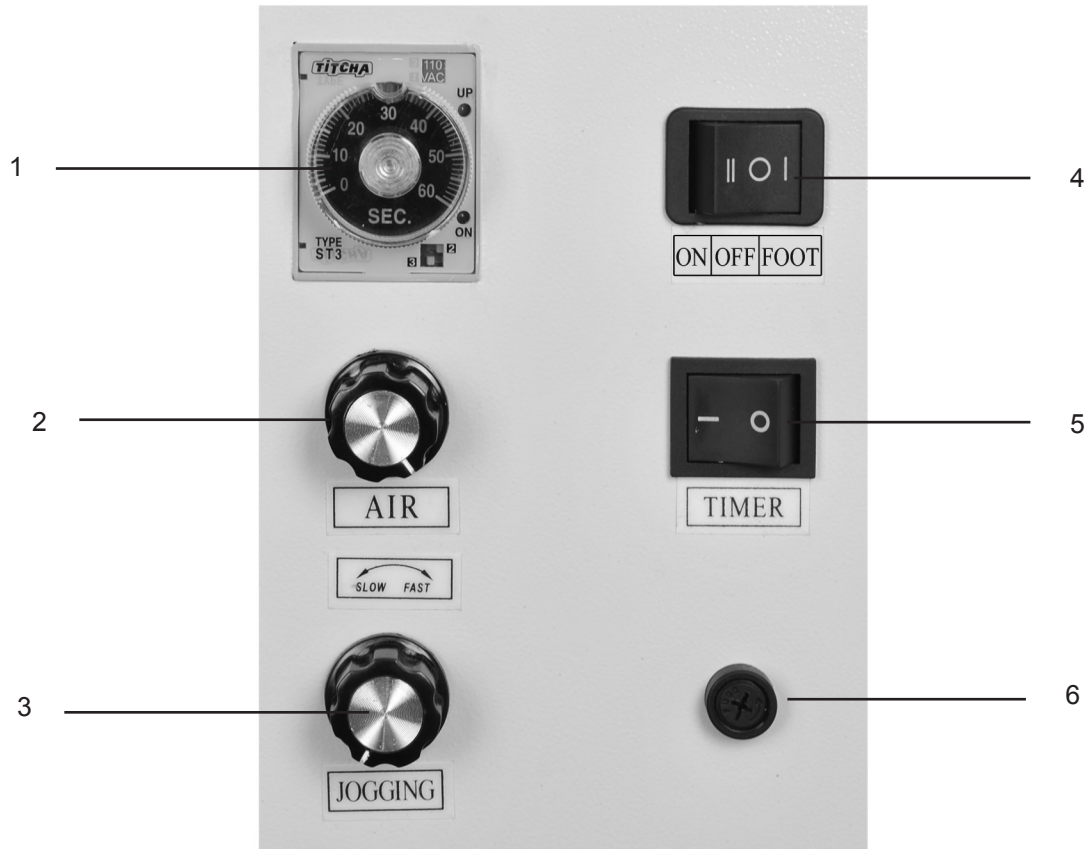
DAILY MAINTENANCE

Clean the air outlet vents in the paper tray to remove paper scraps or dust.

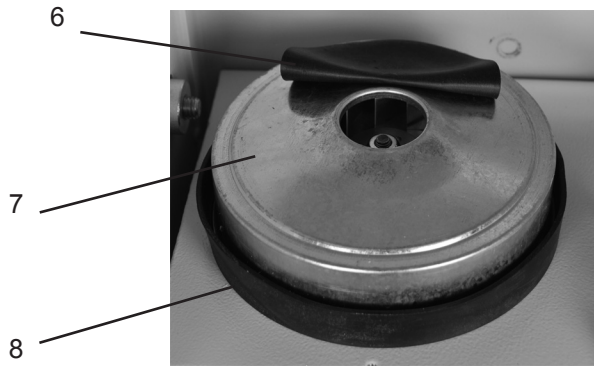
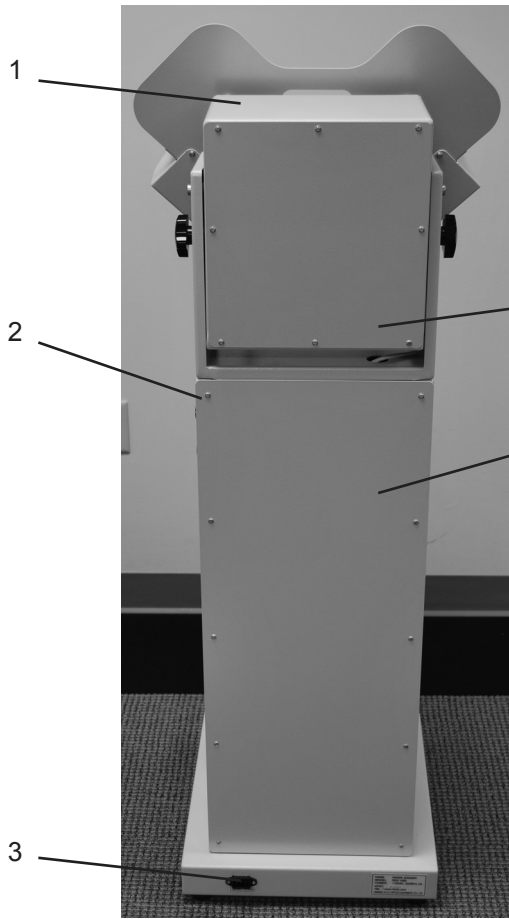
PARTS



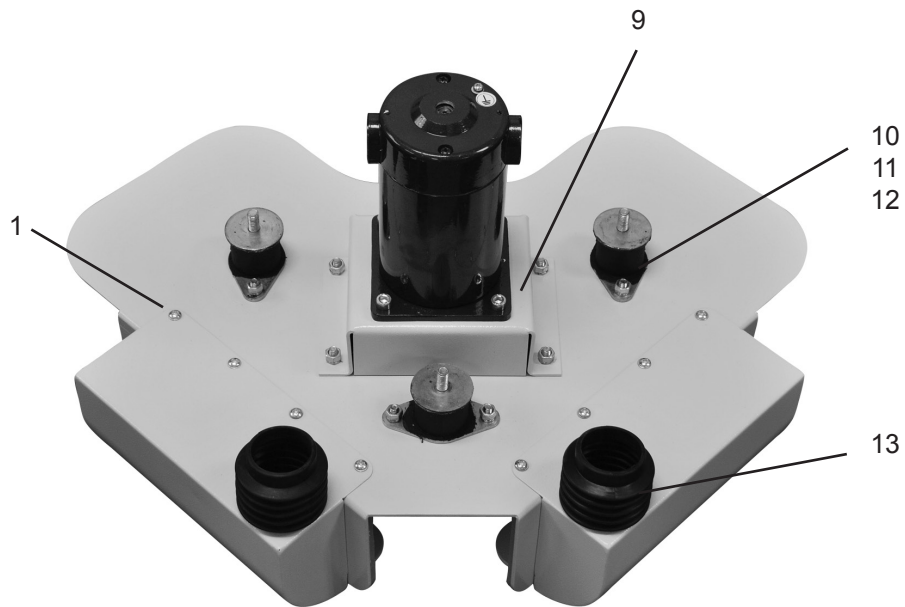
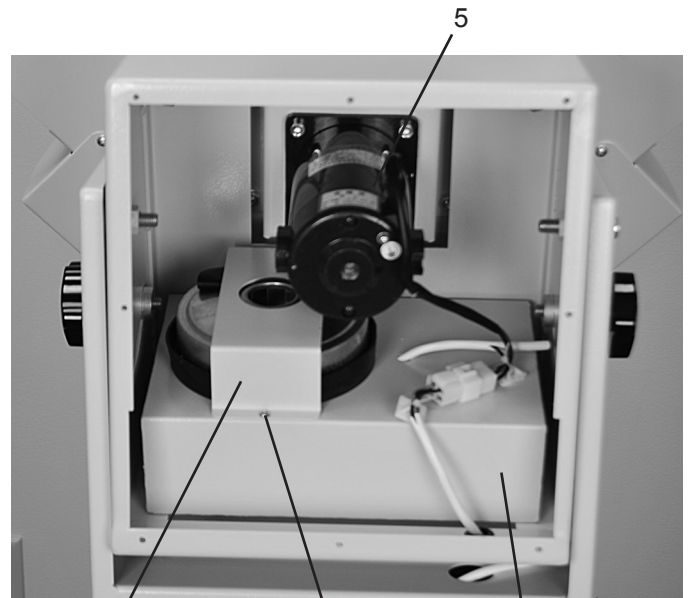
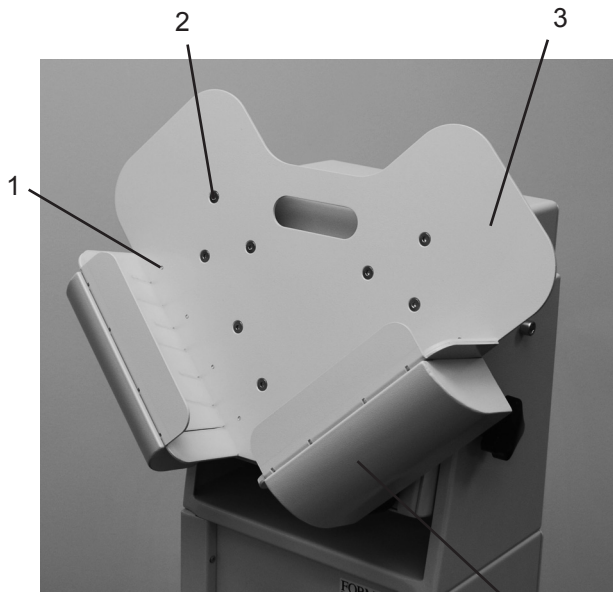
| ITEM # | PART # | DESCRIPTION | QTY |
|--------|---------------|--------------------------|-----|
| 1 | RDD-019P | BOLT | 2 |
| 2 | RDD-031P | TILT ADJUSTMENT KNOB | 2 |
| 3 | RDD-030P | TILT ADJUSTMENT KNOB NUT | 2 |
| 4 | SEE NEXT PAGE | CONTROL PANEL | 1 |
| 5 | RDD-020P | BODY SIDE PANELS | 2 |
| 6 | RDD-021P | POWER SWITCH | 1 |
| 7 | RDD-022P | FOOT PEDAL | 1 |
| 8 | RDD-023P | RUBBER FEET | 4 |
| 9 | RDD-024P | BOTTOM PANEL | 1 |
| 10 | RDD-036P | FRONT PANEL | 1 |



| ITEM # | PART # | DESCRIPTION | QTY |
|--------|----------|------------------------------|-----|
| 1 | RDD-003P | TIMER SWITCH | 1 |
| 2 | RDD-004P | AIR BLOW ADJUST KNOB | 1 |
| 3 | RDD-005P | JOG SPEED ADJUST KNOB | 1 |
| 4 | RDD-006P | ON / OFF / FOOT POWER SWITCH | 1 |
| 5 | RDD-007P | TIMER ON-OFF ROCKER SWITCH | 1 |
| 6 | RDD-008P | FUSE HOLDER | 2 |



| ITEM # | PART # | DESCRIPTION | QTY |
|--------|----------|---------------------|-----|
| 1 | RDD-025P | MOTOR CASING | 1 |
| 2 | RDD-026P | SCREWS | 10 |
| 3 | RDD-027P | POWER PLUG INLET | 1 |
| 4 | RDD-028P | TOP REAR PANEL | 1 |
| 5 | RDD-029P | LOWER REAR PANEL | 1 |
| 6 | RDD-013P | SOUND REDUCTION PAD | 1 |
| 7 | RDD-014P | FAN MOTOR | 1 |
| 8 | RDD-015P | RUBBER BOOT | 1 |
| 9 | RDD-001P | CONTROL BOARD A | 1 |
| 10 | RDD-002P | CONTROL BOARD B | 1 |



| ITEM # | PART # | DESCRIPTION | QTY |
|--------|----------|--------------------|-----|
| 1 | RDD-026P | SCREWS | 8 |
| 2 | RDD-032P | BACK WALL BOLT | 6 |
| 3 | RDD-034P | BACK WALL | 1 |
| 4 | RDD-035P | AIR CANISTERS | 2 |
| 5 | RDD-009P | MOTOR | 1 |
| 6 | RDD-012P | BRACKET | 1 |
| 7 | RDD-011P | BRACKET SCREW | 2 |
| 8 | RDD-010P | BLOWER BOX | 1 |
| 9 | RDD-016P | MOTOR MOUNT | 1 |
| 10 | RDD-017P | RUBBER MOUNT | 3 |
| 11 | RDD-018P | RUBBER BLOWER TUBE | 2 |